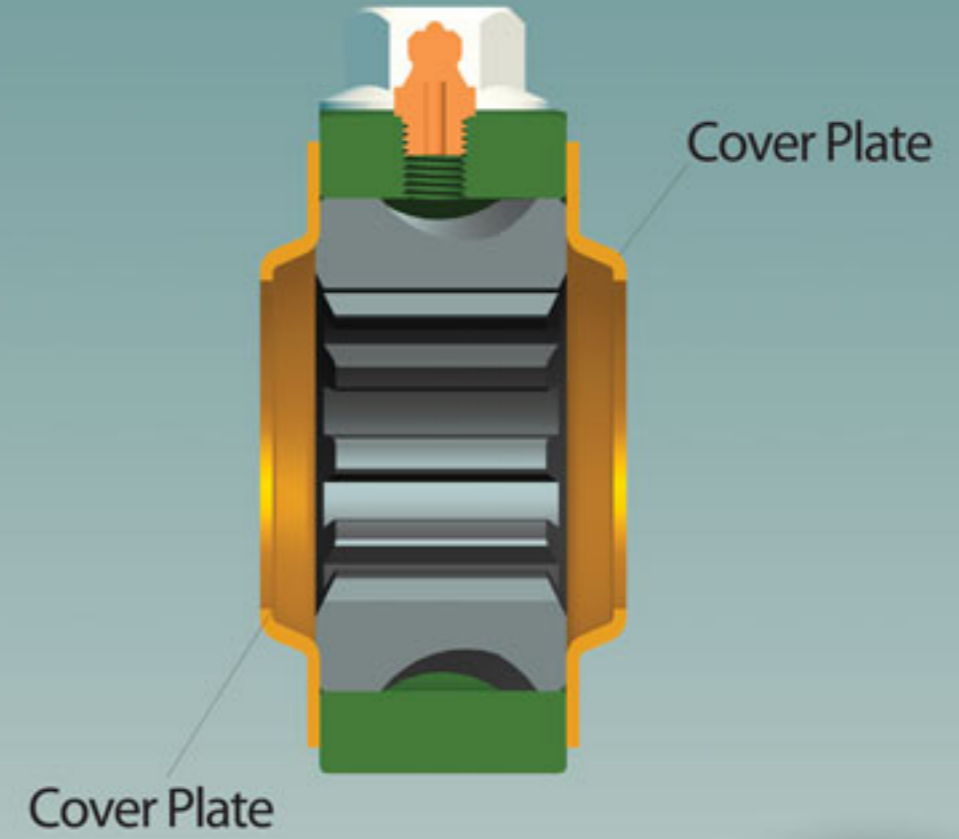
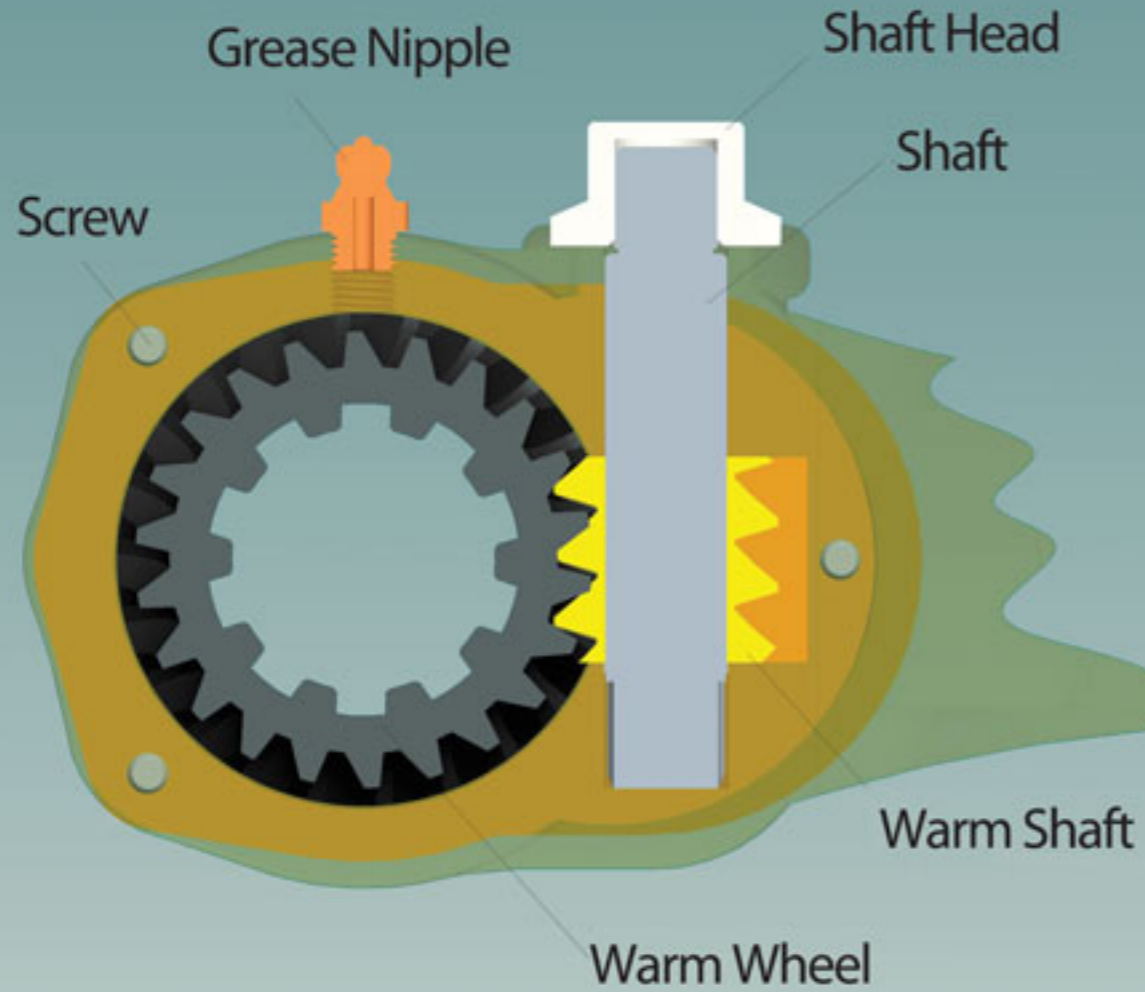


Slack Adjuster

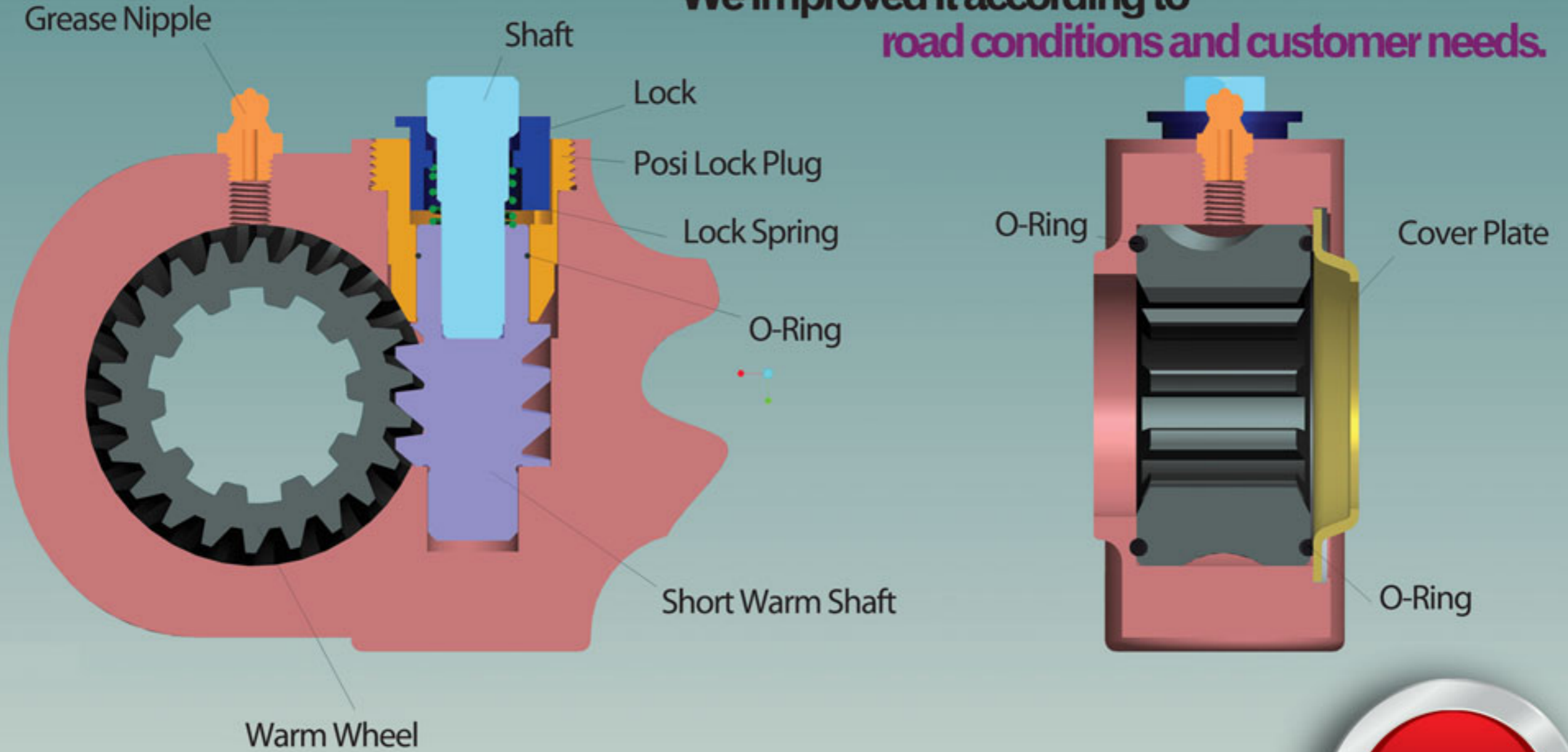




Slack Adjuster



We improved it according to
road conditions and customer needs.



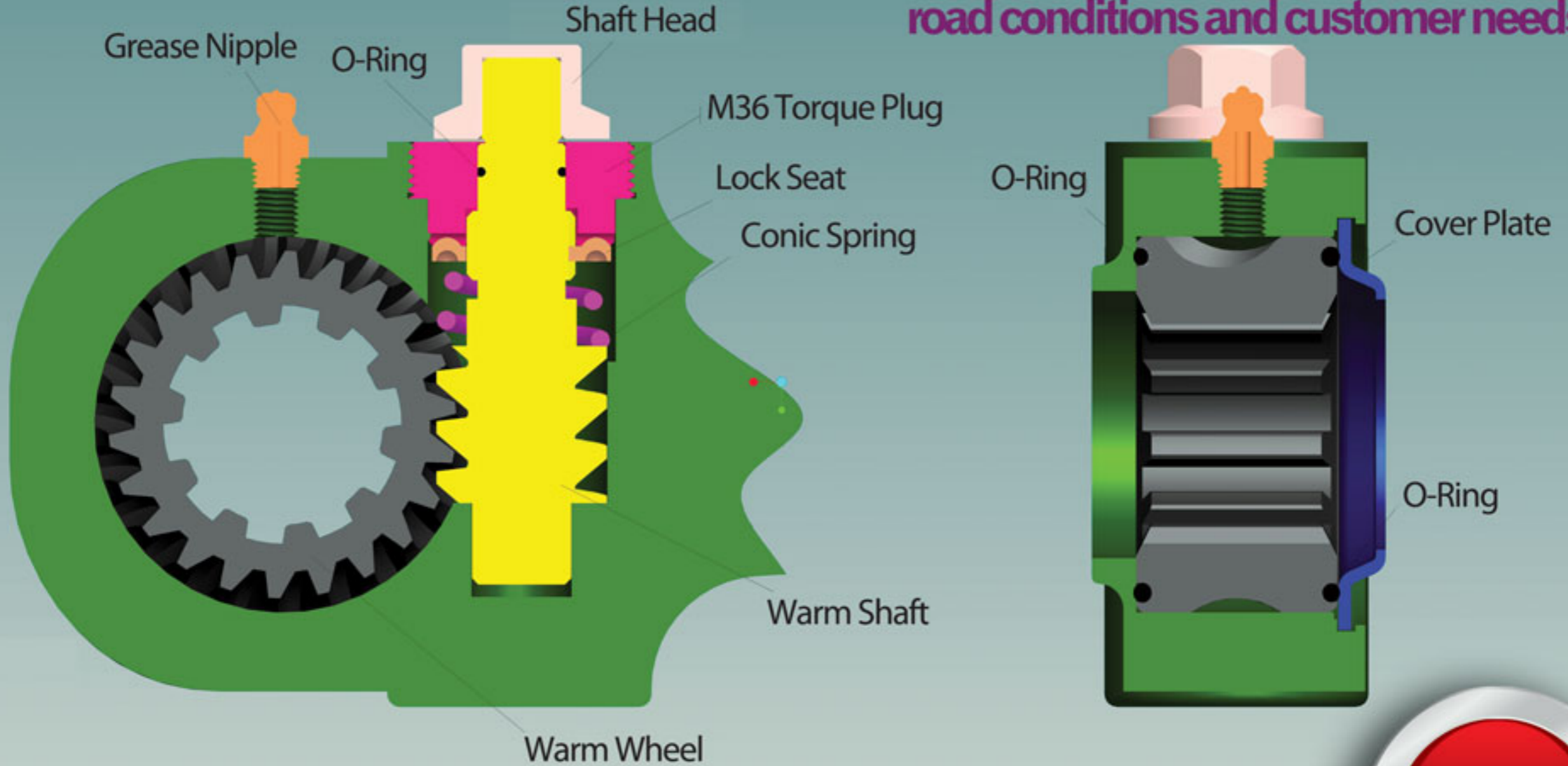
Patent No: 2009/09499

Improved High Strengthened Slack Adjuster

- Improved mono block body.
- Mono -block infinite pin.
- 100% sealing in the mechanism.
- Sound body not affected by punch holes.

NEW

We improved it according to
road conditions and customer needs.



Patent No: 2009/09499

Improved High Strengthened Slack Adjuster

- Improved mono block body.
- Mono-block infinite pin.
- 100% sealing in the mechanism.
- Sound body not affected by punch holes.

NEW